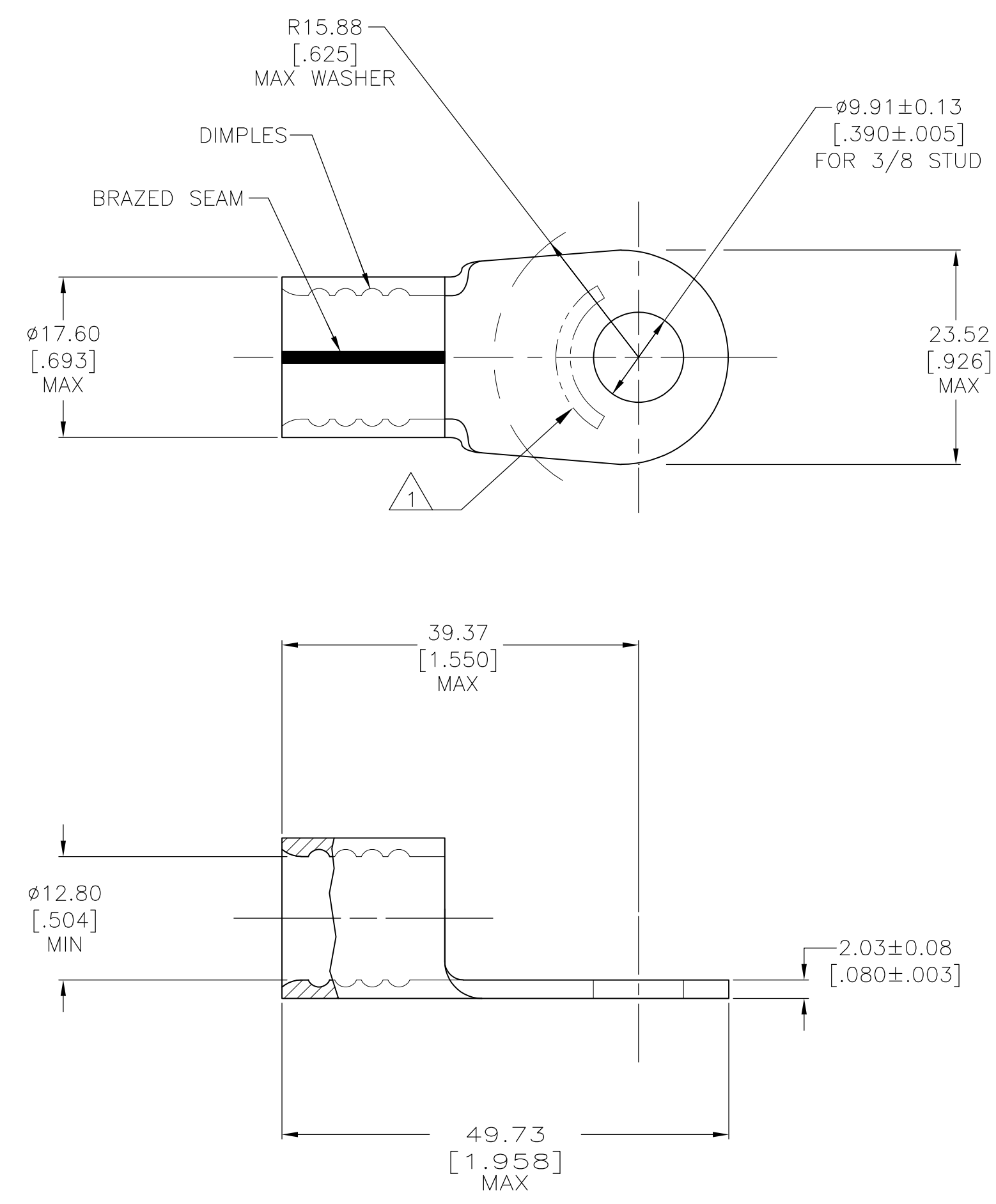


REVISIONS				
P	LTR	DESCRIPTION	DATE	OWN APVD
G2		REVISED PER ECO-16-006286	17JUN2016	NK DR



<b>AMP</b> WIRE RANGE	E13288 Listed
2/0 AWG SOLID OR STRANDED	2/0 AWG STRANDED
LR7189 Certified	MILITARY P/N AND CLASS
2/0 AWG SOLID OR STRANDED	MS 20659-120 CLASS 2

- STAMP AMP 2/0W\* APPROX AS SHOWN
- TIN PL 0.00254[.000100] MIN EXT THK PER ASTM B-545
- BRIGHT TIN LEAD PL 0.00254[.000100] MIN THK PER ASTM B-545
- NICKEL PLATE 0.00762 [.000300] MIN EXT. THK PER SAE AMS QQ-N-290

<b>AMP INCORPORATED CUSTOMER SERVICE SYSTEMS</b>		MAX RECOMMENDED OPERATING TEMPERATURE: SEE TABLE
FOR ADDITIONAL PRODUCT INFORMATION OR COPIES OF DRAWINGS AND TECHNICAL DOCUMENTS	PRODUCT INFORMATION CENTER 1-800-522-6752	VOLTAGE RATING: NOT APPLICABLE
FOR APPLICATION TOOLING INFORMATION	TOOLING ASSISTANCE CENTER 1-800-722-1111	WIRE CROSS SECTIONAL AREA RANGE: 60.6-76.3mm <sup>2</sup> [119,500-150,500] CIR MILS SOLID OR STRANDED
FOR ORDER ENTRY	1-800-526-5142	THIS DRAWING IS A CONTROLLED DOCUMENT FOR AMP INCORPORATED. IT IS SUBJECT TO CHANGE AND THE CONTROLLING ENGINEERING ORGANIZATION SHOULD BE CONTACTED FOR THE LATEST REVISION.

170°C[338°F]	50	LOOSE PIECE		2-321871-2
343°C[650°F]	50	LOOSE PIECE		321871-2
170°C[338°F]	50	LOOSE PIECE		321871
MAX OPERATIVE TEMPERATURE	QTY	PACKAGE TYPE	FINISH	PART NUMBER
THIS DRAWING IS A CONTROLLED DOCUMENT.		DWN DK SCHRUM 1/14/94	<b>STE</b> TE Connectivity	
		CHK AJ KAUFMAN 1/19/94		
DIMENSIONS: mm[INCHES]		APVD JL MECKLEY 1/19/94		
TOLERANCES UNLESS OTHERWISE SPECIFIED:		NAME		
0 PLC ± -		PRODUCT SPEC		
1 PLC ± -		APPLICATION SPEC		
2 PLC ± 0.20[.008]		SIZE CAGE CODE DRAWING NO RESTRICTED TO		
3 PLC ± -		A2 00779 G-321871 -		
4 PLC ± -		WEIGHT		
ANGLES ± ± -		CUSTOMER DRAWING SCALE 2:1 SHEET 1 of 1 REV G2		
MATERIAL FINISH				
COPPER PER ASTM B-152 ANNEALED SEE TABLE				